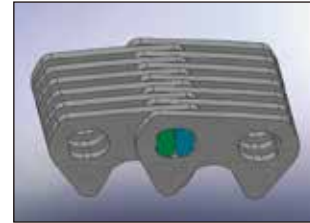


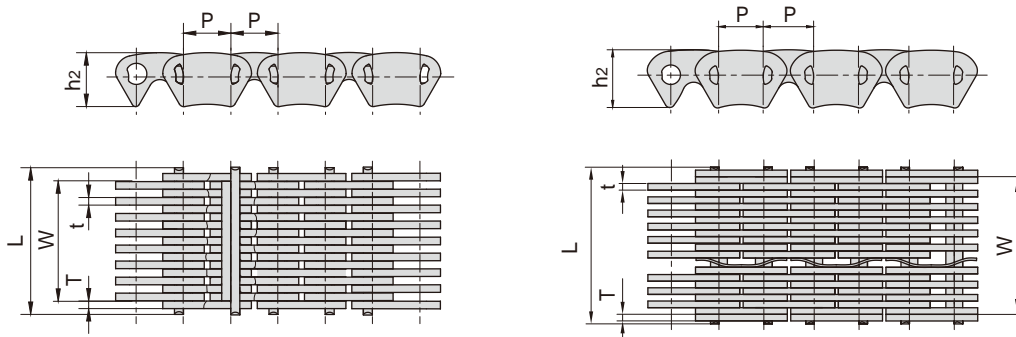
## 滚销式静音链 Rocker joint type silent chains

滚销式静音链主要用于四轮驱动分动箱和变速箱驱动系统，是驱动系统的核心部件。滚销式静音链设计采用了特殊的双滚销啮合理论，其结构不同于普通的圆销式静音链，达到降低多边形效应和噪声，具备高强度、高耐磨和传递大扭矩等多种工况使用的优越性能。

Rocker joint type silent chain is mainly used for four-wheel drive transfer case and gearbox drive system, which is the core component of the drive system. Special rocker joint pin dual-meshing design makes its structure different from the ordinary round pin type silent chain and thus reducing the polygon effect and noise effectively. This chain has superior performances such as high strength, high wear resistance and transmission of high torque in many conditions etc..



滚销式静音链  
Rocker joint type silent chains



东华链号 Donghua Chain No.	节距	链宽	销轴长度	链板高度	链板厚度		导向型式 Guide type	片数 Number of plate	抗拉强度	每米长重 Weight per meter
	Pitch	Width Between Guides	Pin length	Plate depth	Plate thickness	Tensile strength				
	P	W	L max	h2 max	t	T			Q min	
	mm	mm	mm	mm	mm	mm		n	kN/lbf	kg/m
HV3F3	9.525	18.24	22.20	10.90	1.54	1.54	(外)Outside	13(6 × 7)	36.0/8093	1.16
	9.525	31.70	36.50	10.90	1.54	1.54	(外)Outside	21(10 × 11)	45.0/10116	1.79
HV3F4	9.525	20.30	25.90	10.90	1.54	1.54	(外)Outside	15(7 × 8)	31.0/6969	1.29
	9.525	24.58	29.80	11.90	1.54	1.54	(外)Outside	17(8 × 9)	48.0/10790	1.60
HV3.5	11.113	24.80	30.00	14.27	1.54	1.20	(外)Outside	17(8 × 9)	58.0/13038	2.13
	11.113	28.00	32.70	14.27	1.54	1.20	(外)Outside	19(9 × 10)	65.0/14612	2.38
	11.113	31.20	36.00	14.27	1.54	1.20	(外)Outside	21(10 × 11)	72.0/16186	2.53
SC180	11.113	31.40	36.33	13.52	1.55	1.55	(外)Outside	21(9 × 12)	72.0/16186	2.37
	11.113	37.80	42.72	13.52	1.55	1.55	(外)Outside	25(11 × 14)	88.0/19782	2.88
	11.113	40.90	46.60	13.52	1.55	1.55	(外)Outside	27(12 × 15)	96.0/21581	1.09
HV4F1-10X11W	12.700	32.90	38.20	14.50	1.54	1.54	(外)Outside	21(10 × 11)	47.3/10633	2.20
HV4F1-16X17N	12.700	52.40	57.00	14.50	1.54	2.00	(内)Inside	33(16 × 17)	86.0/19333	3.50
HV6	19.050	72.30	81.30	20.89	2.00	2.00	(外)Outside	35(17 × 18)	174.0/39115	7.40
	19.050	101.90	108.90	20.89	2.00	2.00	(内)Inside	49(24 × 25)	174.0/39115	10.12
HV6D	19.050	38.50	50.30	27.00	2.00	2.00	(外)Outside	21(10 × 11)	104.0/23379	4.52
HV8	25.400	140.30	158.80	27.74	3.10	3.10	(外)Outside	47(23 × 24)	534.0/120043	20.46
HV8D	25.400	102.00	110.00	36.00	3.00	3.00	(内)Inside	34(16 × 18)	385.0/86548	14.40